



## Suspension ADSS *ADSS hardware*

### Suspension Set ADSS



#### **Description:**

The suspension set for ADSS Cable is specifically designed for the installation of cables on the pole and tower. The unilateral angle of the suspension will be 15° to 18°. This suspension is recommended as being superior to armor-clamp combinations for protecting cable from bending stress, compression stress and abrasion. The grip strength of the clamp is bigger than 10% to 20% of the rated tensile strength.

- Armor Rod: Aluminum Clad Steel Wire
- Housing: Aluminum Alloy
- Rubber Insert: High Class Rubber
- Anchor Shackle: Hot Dip Galvanized Steel

#### **Features:**

- 1- Stress can be distributed equally among the ADSS / cable surface without stress centralization to increase the intensity of cable installation terminal and protect ADSS / cable.
- 2- it has higher supporting capability of dynamic stress. The double -Layer structure has protection to the operating cable that has imbalanced load for long time. Its grip power can reach 10% to 20% of the pulling intensity of the optical cable.
- 3- The greater interface with the optical cable and the gentle rubber clamp piece reduce the wearing out and improve self damping.
- 4- The surface and the smooth shape of improve the discharging voltage and reduce the loss of electric power.
- 5- The superior aluminum alloy material has higher comprehensive mechanical performance and cauterization resisting capability and extends the lifetime usage.
- 6- Easy installation, no need for special tools, no need for maintenance.

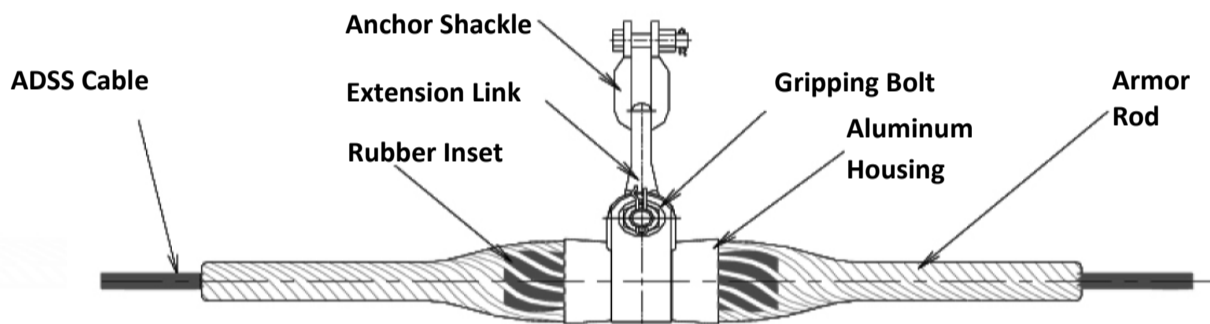
#### **Application:**

- (1) Terminal pole tower, tension pole/tower,
- 2-The angle of single side suspension is between 15° to 18°



**Suspension ADSS**  
ADSS hardware

Non-contractual photo- HSA CSXXX - 07/2002



**Suspension Set ADSS / Span 100 meters**

P/N°	Diameter Range (mm)		Length Armor Rod (mm)
	Min.	Max.	
	9.0	10.0	800
TC-HSACS-100-111	10.1	11.1	
TC-HSACS-100-122	11.2	12.2	
TC-HSACS-100-133	12.3	13.3	
TC-HSACS-100-144	13.4	14.4	
TC-HSACS-100-155	14.5	15.5	
TC-HSACS-100-166	15.6	16.6	
TC-HSACS-100-177	16.7	17.7	
TC-HSACS-100-188	17.8	18.8	

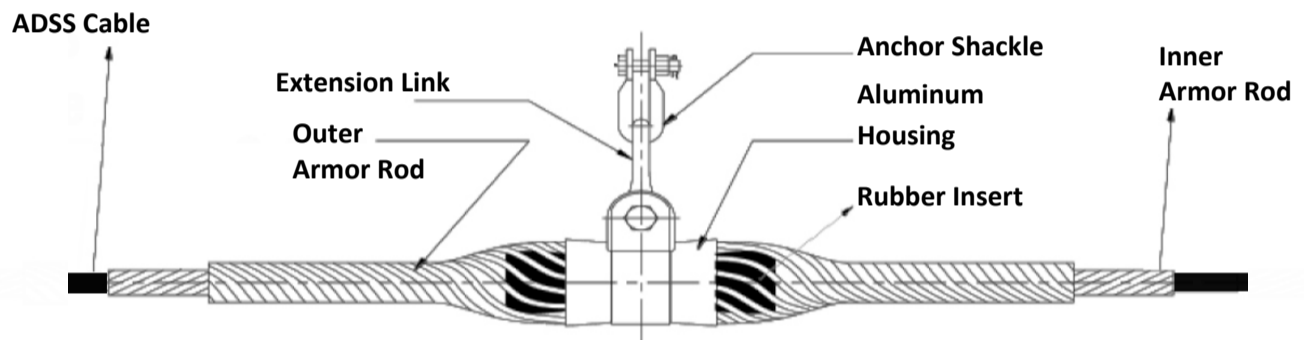
**Suspension Set ADSS / Span 200 meters**

P/N°	Diameter Range (mm)		Length Armor Rod (mm)
	Min.	Max.	
	9.0	10.0	1080
TC-HSACS-200-100	10.1	11.1	
TC-HSACS-200-111	11.2	12.2	
TC-HSACS-200-122	12.3	13.3	
TC-HSACS-200-133	13.4	14.4	
TC-HSACS-200-144	14.5	15.5	
TC-HSACS-200-155	15.6	16.6	
TC-HSACS-200-166	16.7	17.7	
TC-HSACS-200-177	17.8	18.8	



**Suspension ADSS**  
ADSS hardware

Non-contractual photo- HSACSXXX - 07/2002



**Suspension Set ADSS / Span 200 to 300 meters**

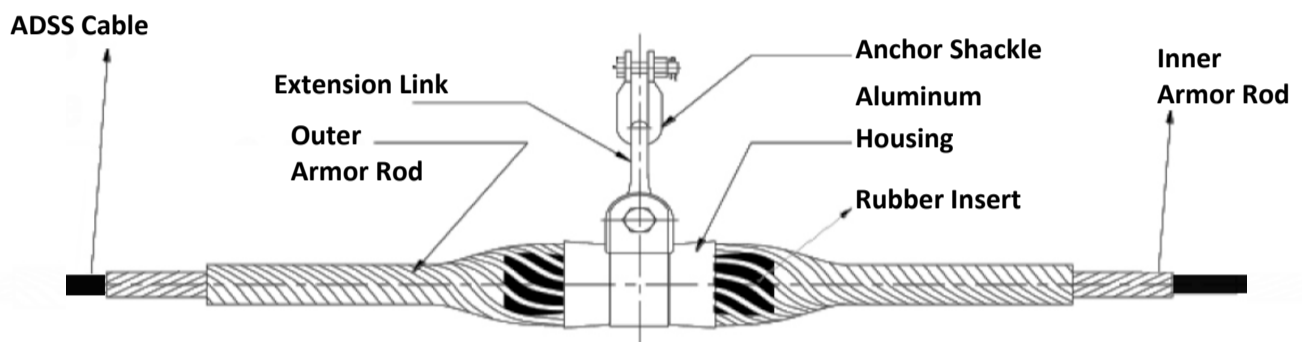
P/N°	Diameter Range (mm)		Length Inner Armor Rod (mm)	Length Outer Armor Rod (mm)
	Min.	Max.		
TC-HSACS-300-100	9.0	10.0	1500	1060
TC-HSACS-300-111	10.1	11.1		
TC-HSACS-300-122	11.2	12.2		
TC-HSACS-300-133	12.3	13.3		
TC-HSACS-300-144	13.4	14.4		
TC-HSACS-300-155	14.5	15.5		
TC-HSACS-300-166	15.6	16.6		
TC-HSACS-300-177	16.7	17.7		
TC-HSACS-300-188	17.8	18.8		

**Suspension Set ADSS / Span 400 to 500 meters**

P/N°	Diameter Range (mm)		Length Inner Armor Rod (mm)	Length Outer Armor Rod (mm)
	Min.	Max.		
TC-HSACS-500-100	9.0	10.0	1600	1100
TC-HSACS-500-111	10.1	11.1		
TC-HSACS-500-122	11.2	12.2		
TC-HSACS-500-133	12.3	13.3		
TC-HSACS-500-144	13.4	14.4		
TC-HSACS-500-155	14.5	15.5		
TC-HSACS-500-166	15.6	16.6		
TC-HSACS-500-177	16.7	17.7		
TC-HSACS-500-188	17.8	18.8		



**Suspension ADSS**  
ADSS hardware



Non-contractual photo- HSACSXXX - 07/2002

**Suspension Set ADSS / Span 500 to 600 meters**

P/N°	Diameter Range (mm)		Length Inner Armor Rod (mm)	Length Outer Armor Rod (mm)
	Min.	Max.		
TC-HSACS-600-100	9.0	10.0	1780	1180
TC-HSACS-600-111	10.1	11.1		
TC-HSACS-600-122	11.2	12.2		
TC-HSACS-600-133	12.3	13.3		
TC-HSACS-600-144	13.4	14.4		
TC-HSACS-600-155	14.5	15.5		
TC-HSACS-600-166	15.6	16.6		
TC-HSACS-600-177	16.7	17.7		
TC-HSACS-600-188	17.8	18.8		

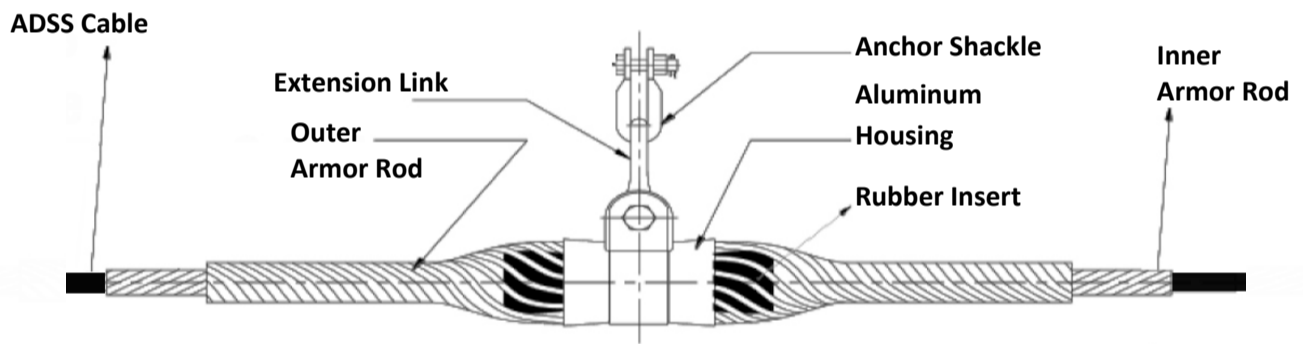
**Suspension Set ADSS / Span 600 to 700 meters**

P/N°	Diameter Range (mm)		Length Inner Armor Rod (mm)	Length Outer Armor Rod (mm)
	Min.	Max.		
TC-HSACS-700-100	9.0	10.0	2000	1500
TC-HSACS-700-111	10.1	11.1		
TC-HSACS-700-122	11.2	12.2		
TC-HSACS-700-133	12.3	13.3		
TC-HSACS-700-144	13.4	14.4		
TC-HSACS-700-155	14.5	15.5		
TC-HSACS-700-166	15.6	16.6		
TC-HSACS-700-177	16.7	17.7		
TC-HSACS-700-188	17.8	18.8		



**Suspension ADSS**  
*ADSS hardware*

Non-contractual photo- HSA CSXXX - 07/2002



**Suspension Set ADSS / Span 700 to 800 meters**

P/N°	Diameter Range (mm)		Length Inner Armor Rod (mm)	Length Outer Armor Rod (mm)
	Min.	Max.		
TC-HSACS-800-100	9.0	10.0	2100	1700
TC-HSACS-800-111	10.1	11.1		
TC-HSACS-800-122	11.2	12.2		
TC-HSACS-800-133	12.3	13.3		
TC-HSACS-800-144	13.4	14.4		
TC-HSACS-800-155	14.5	15.5		
TC-HSACS-800-166	15.6	16.6		
TC-HSACS-800-177	16.7	17.7		
TC-HSACS-800-188	17.8	18.8		